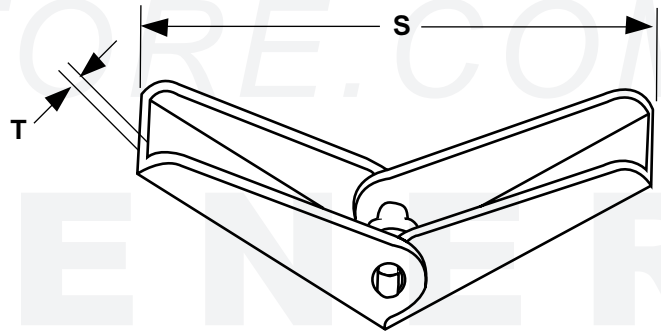
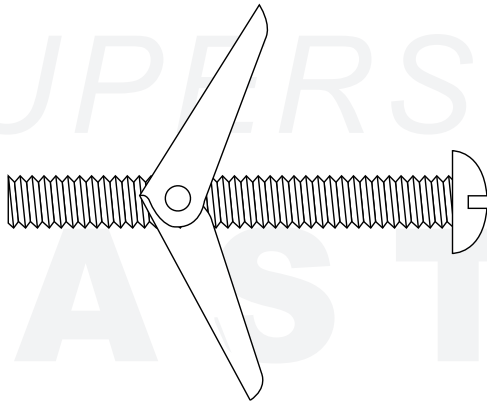


Steel

# Toggle Wing

Anchors



TOGGLE WINGS					FF-B-588E, Type 1, Class A
Thread Size or Bolt Diameter	S	T	Recommended Hole Size		Proof Load, Lbs. (min)
	Wing Spread (min)	Metal Thickness (min)	Nom	Max	
6-32 (1/8)	.75	.024	.38	.50	175
8-32 (5/32)	1.00	.024	.43	.50	**
10-24 (3/16)	1.50	.028	.50	.62	350
1/4-20 (1/4)	1.75	.035	.62	.75	600
5/16-18 (5/16)	2.00	.042	.88	1.00	900
3/8-16 (3/8)	2.25	.047	.88	1.00	1100
1/2-13 (1/2)	3.50	.062	1.12	1.25	1500

\*\*Industry standards do not list tensile values for this size.

<b>Description</b>	A four-piece fastener consisting of (1) two matching steel "wings" each bent at two 90° angles, (2) an internally threaded nut with protrusions spaced 180° apart which serves as a pivot attaching the two wings, and (3) a wire spring providing the necessary tension to open and close the wings.
<b>Applications/ Advantages</b>	Toggle wings are light-duty anchors for use in hollow base material applications. They spread the load over a larger area and are more temperature resistant than other hollow wall anchors. They are single-use anchors.
<b>Material</b>	AISI 1008 or equivalent cold rolled steel
<b>Proof Load</b>	Toggle wings shall meet the minimum proof load values as noted in the above table.
<b>Plating</b>	See Appendix-A for plating information.