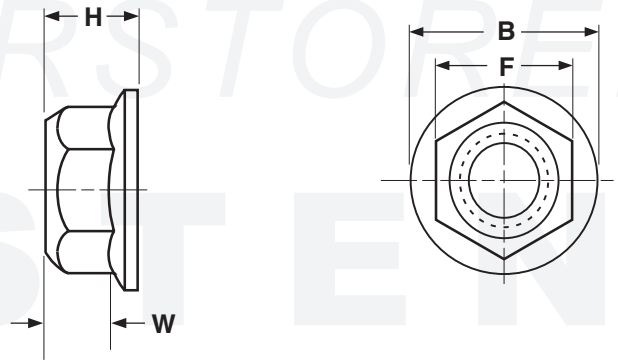


**DIN 6927 Prevailing Torque Flange  
Class 10 Steel**

**NUTS**



**DIN 6927 PREVAILING TORQUE HEX FLANGE NUTS**

Nominal Size & Thread Pitch	F	B	H	W
	Width Across Flats	Flange Diameter	Overall Thickness	Wrenching Height
	Ref	Max	Max	Ref
M6-1.0	10.00	14.2	7.3	5.7
M8-1.25	13.00	17.9	9.40	7.6
M10-1.5	15.00	21.8	11.40	9.6
M12-1.75	18.00	26	13.80	11.6
M16-2.0	24.00	34.5	18.3	15.3

<b>Description</b>	An all-metal, one-piece hex nut with a flange on the bottom side. The fastener derives its prevailing torque characteristics from controlled distortion of its top threads from their normal helical form to a more elliptical shape.
<b>Applications/ Advantages</b>	The nuts are reusable and can withstand severe vibration and shock loads. Has a low, uniform bearing stress to clamp force ratio. This style reduces inventory (by eliminating a washer) and in-place cost. It is designed to be used specifically, but not exclusively, with alloy flange bolts.
<b>Material</b>	Class 10 steel.
<b>Hardness</b>	HV 272 - 353
<b>Plating</b>	See Appendix-A for plating information.