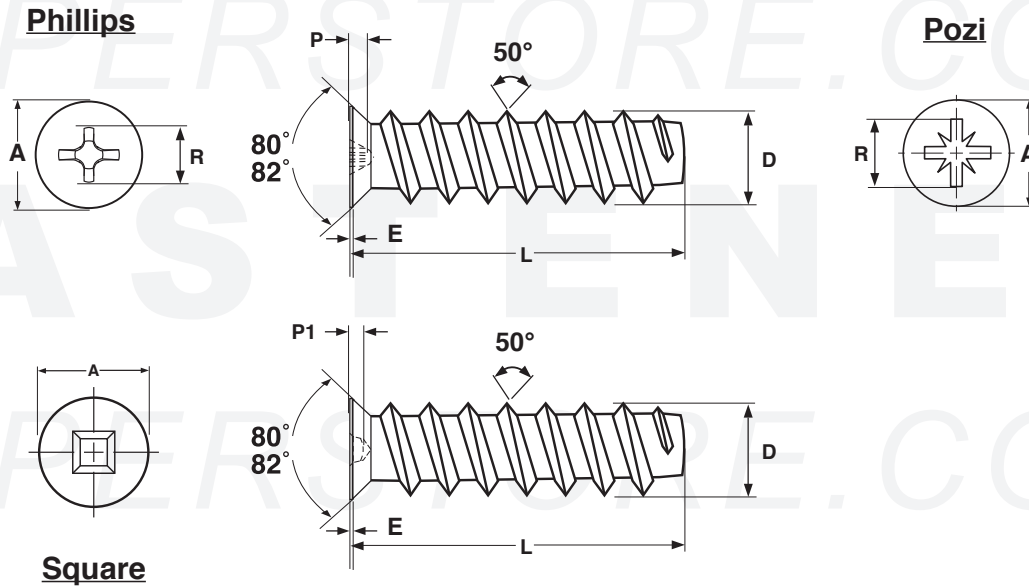


# WOODWORKING SCREWS

European Drawer Slide Screws



EUROPEAN DRAWER SLIDE SCREWS																	
Size	A		P			P			P1			R		E		D	
	Head Diameter		Phillips			Pozi (Type Z Recess)			Square Recess			Recess Width		Top Edge of Head Thickness		Major Diameter	
			Penetration		Drive Size	Penetration		Drive Size	Penetration		Drive Size						
	Max	Min	Max	Min		Max	Min		Max	Min		Max	Min	Max	Min	Max	Min
6.3-11	7.30	7.00	3.17	2.59	#2	2.70	2.40	#2	1.90	1.66	#2	5.18	4.86	0.30	0.10	6.30	6.10
Tolerance on Length									+0, -0.5								

<b>Description</b>	An externally threaded fastener with a short, 82-degree countersunk head, and spaced thread pattern. The part is available with choice of Phillips, Pozi (Type-Z) or Square recess.
<b>Applications / Advantages</b>	Designed for installation of European hinges and European drawer slides into cabinets that use a 32mm line boring layout with pre-drilled holes..
<b>Material</b>	Low Carbon 1010 or equivalent steel
<b>Plating</b>	Screws are typically available in either a zinc or nickel finish.