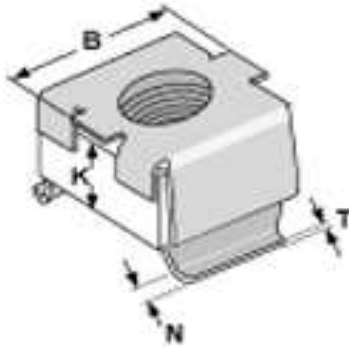


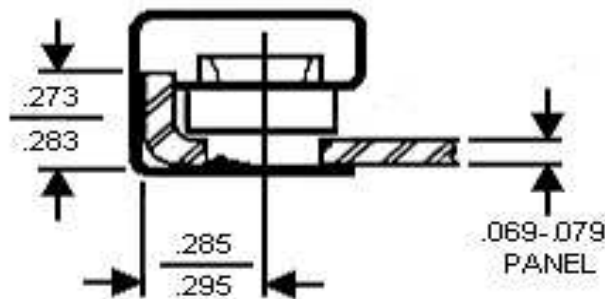
Fastener SuperStore Rack Mounting Nuts Cage Nut Style



Part Number	Screw Size	Panel Range	Mounting Hole	B	T	K	N
910063	10-32	.064-.105	.345 / .375	.520	.020	.156	.060
910069	12-24	.064-.105	.345 / .375	.520	.020	.156	.060
910059	M6-1.0	.064-.105	.345 / .375	.520	.020	.187	.060

Material: Cage: Spring Steel Nuts: SAE 1108 / 11018 or Equivalent Steel

Clip Nut Style



Part Number	Screw Size	Panel Range	Hole Diameter	Width	Material Thk	Height	Length
910061	10-32	.069-.079	.276-.286	.500	.017	.415	.575
910070	M6-1.0	.069-.079	.276-.286	.500	.017	.415	.575

** Part Numbers listed are for 1,000 pc quantities. Also available in 25 pc bags.