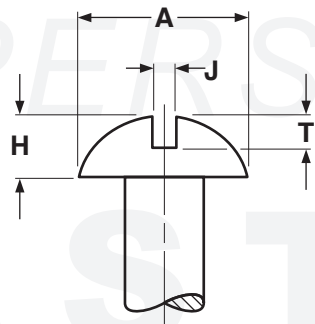
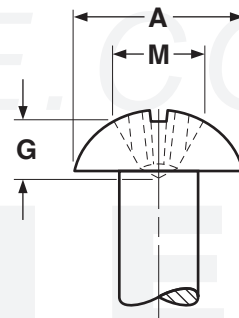


Round & Round Washer HEAD DIMENSIONS

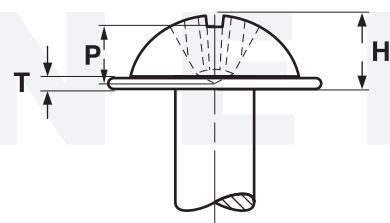
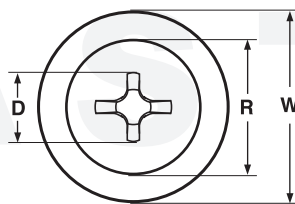


Slotted



Phillips

ROUND HEADS FOR SELF TAPPING SCREWS												ASME B18.6.3—2010	
Nominal Size	A		H		J		T		M		G		Phillips Driver Size
	Head Diameter		Height of Head		Slot Width		Slot Depth		Dimensions of Recess		Recess Penetration Gaging Depth		
	Max	Min	Max	Min	Max	Min	Max	Min	Ref	Max		Min	
2	.162	.146	.069	.059	.031	.023	.048	.037	.094	.046	.027	1	
4	.211	.193	.086	.075	.039	.031	.058	.044	.112	.065	.046	1	
5	.236	.217	.095	.083	.043	.035	.063	.047	.147	.063	.035	2	
6	.260	.240	.103	.091	.048	.039	.068	.051	.156	.073	.045	2	
8	.309	.287	.120	.107	.054	.045	.077	.058	.172	.090	.064	2	
10	.359	.334	.137	.123	.060	.050	.087	.065	.188	.108	.082	2	
12	.408	.382	.153	.139	.067	.056	.096	.073	.242	.108	.082	3	
14	.457	.429	.170	.155	.075	.064	.106	.080	.258	.125	.099	3	
1/4	.472	.443	.175	.160	.075	.064	.109	.082	.262	.130	.104	3	



ROUND WASHER HEADS FOR SELF TAPPING SCREWS											ASME B18.6.3—2010
Nominal Size	W		T	R	H		D	P	Recess Penetration Gaging Depth		Phillips Driver Size
	Washer Outside Diameter		Washer Thickness	Crown Diameter	Overall Head Height		Recess Diameter	Recess Depth	Recess Penetration Gaging Depth		
	Max	Min	Ref	Ref	Max	Min	Ref	Ref	Max	Min	
5	.291	.272	.040	.198	.088	.075	.139	.051	.054	.026	2
6	.321	.301	.040	.218	.096	.084	.147	.058	.061	.033	2
8	.380	.358	.040	.259	.113	.101	.161	.073	.076	.048	2
10	.439	.416	.050	.300	.130	.118	.177	.091	.093	.066	2
1/4	.576	.548	.050	.396	.170	.157	.244	.110	.107	.080	3