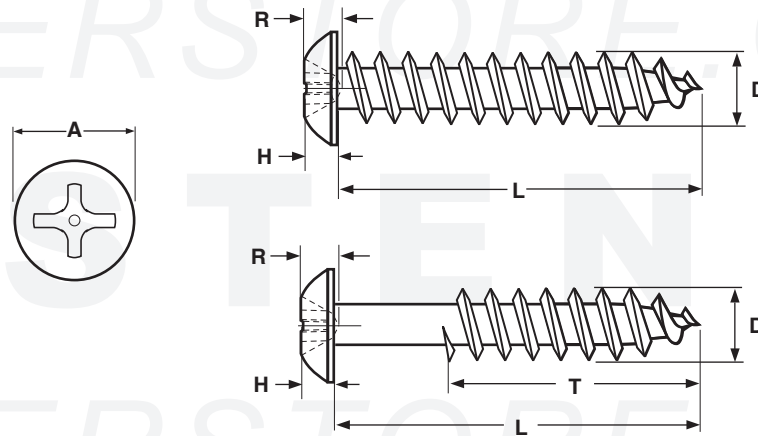


Truss Head
w/ Phillips Recess

DEEP THREAD



TRUSS PHILLIPS RECESS DEEP THREAD WOOD SCREW												
Nominal Diameter	A		H		R		D		T		Torque (kg/cm)	Recess Size
	Head Diameter		Head Height		Recess Depth		Major Diameter		Threaded Length			
	Max	Min	Max	Min	Max	Min	Max	Min	L ≤ 1"	L > 1"	Min	
6	0.321	0.303	0.086	0.074	0.073	0.048	0.141	0.135	Full thread	2/3 thread	21	2
8	0.384	0.364	0.102	0.088	0.088	0.063	0.168	0.161	Full thread	2/3 thread	35	2
Tolerance on Length		Up to 5/8"								+0; - 0.03		
		Over 5/8 to 1.5"								+0; - 0.05		

Description	An externally threaded fastener with a head having a low rounded top, a cross recess and a single lead thread. The shank has a reduced diameter.
Applications / Advantages	The deeper thread design offers greater resistance to pull-out forces as compared to standard wood screws. Popular use is in construction of drawer slides.
Material	C1018 - 1022 case-hardened steel
Surface Hardness	Vickers 450 HV minimum
Case Depth	0.004" - 0.009"
Torque	See values in above table
Plating	See Appendix-A for plating information