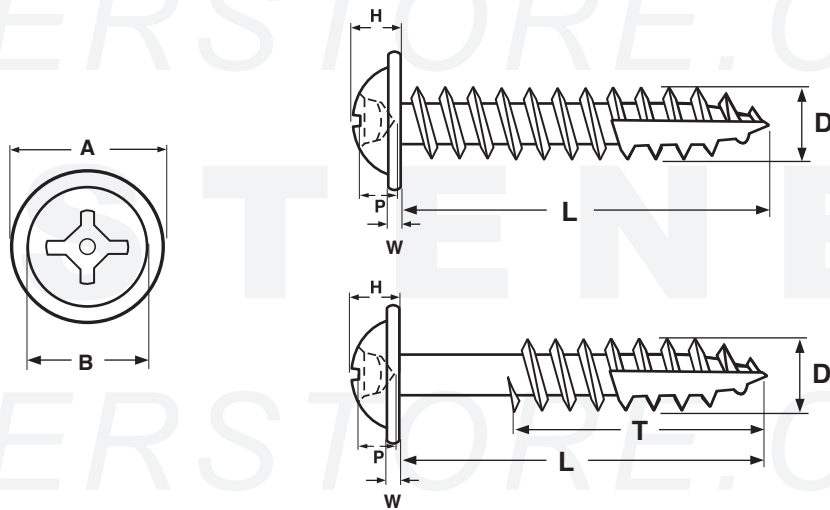


**Large Round Washer Head
w/ Phillips Recess**

TYPE-17 DEEP THREAD



LARGE ROUND WASHER SQUARE-PHILLIPS RECESS DEEP THREAD WOOD SCREW w/TYPE-17 PT.

Nominal Diameter	A		W	B	H		P		D		T		Recess Size (Phillips & Square)
	Washer Diameter		Washer Thickness	Head Diameter	Total Head Height		Recess Depth		Major Diameter		Threaded Length		
	Max	Min	Ref	Ref	Max	Min	Max	Min	Max	Min	L ≤ 1"	L > 1"	
8	0.500	0.472	0.050	0.300	0.130	0.118	0.080	0.065	0.168	0.161	Full thread	2/3 thread	#2
Tolerance on Length		Up to 1"						+0 / -0.05					

Description	An externally threaded fastener with a dome-shaped head and an integrally formed washer, a square socket recess that will also accommodate a standard Phillips driver, a shank with a reduced diameter and a single lead thread. The head is approximately 33% larger than that of a typical round washer screw of the same nominal diameter. The shank has a reduced diameter and a chip cavity cut out where the final several threads, ending at the tip.
Applications / Advantages	The deeper thread design offers greater resistance to pull-out forces. The chip cavity (or auger point) enables the fastener to drive—especially in denser woods—without pre-drilling a pilot hole. The extra large head (a) allows for precise adjustment when aligning multiple drawer fronts to one another, and (b) offers a greater bearing surface than a countersunk design.
Material	C1022 case-hardened steel
Surface Hardness	Rockwell C 45 minimim
Case Depth	0.004" - 0.009"
Torque	#8 Diameter: 35 kg/cm minimum
Plating	See Appendix-A for plating information