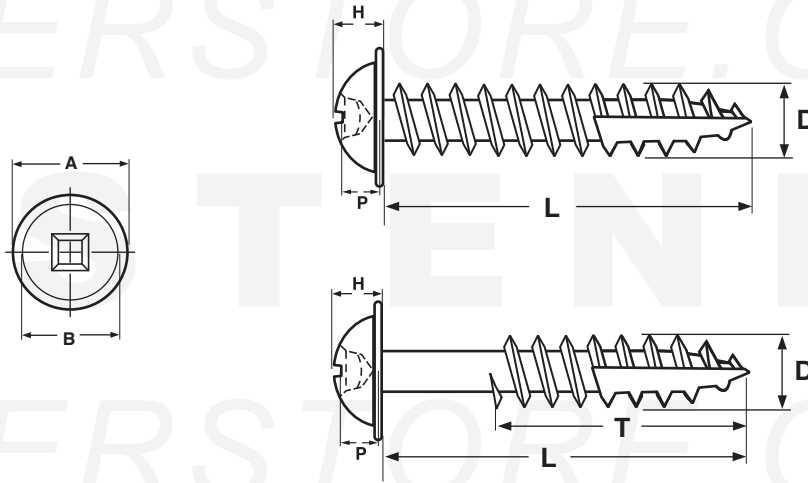


Round Washer Head w/
Square Recess

TYPE-17 DEEP THREAD



ROUND WASHER SQUARE RECESS DEEP THREAD WOOD SCREW WITH TYPE-17 POINT												
Nominal Diameter	A		B	H		P		D		T		Recess Size
	Washer Diameter		Head Diameter	Total Head Height		Recess Depth		Major Diameter		Threaded Length		
	Max	Min	Ref	Max	Min	Max	Min	Max	Min	L ≤ 1"	L > 1"	
8	0.384	0.364	0.315	0.130	0.119	0.075	0.048	0.169	0.159	Full thread	2/3 thread	#2
10	0.439	0.416	0.311	0.130	0.118	0.075	0.060	0.205	0.194	Full thread	2/3 thread	#2
Tolerance on Length	Up to 5/8"										+0 / -0.03	
	Over 5/8 to 1.5"										+0 / -0.05	
	Over 1.5 to 2.75"										+0 / -0.06	
	Over 2.75 to 5"										+0 / -0.09	

Description	An externally threaded fastener with a dome-shaped head and an integrally formed washer, a square socket recess and a single lead thread. The shank has a reduced diameter and a chip cavity cut out where the final several threads, ending at the tip.
Applications / Advantages	The deeper thread design offers greater resistance to pull-out forces. The chip cavity (or auger point) enables the fastener to drive—especially in denser woods—without pre-drilling a pilot hole. The head offers a greater bearing surface than a countersunk design. Used to attach surface-mounted door hinges or master lock hasps into dense woods or when attaching two pieces of wood through a pocket hole.
Material	C1022 case-hardened steel
Surface Hardness	Rockwell C 45 minimim
Case Depth	0.004" - 0.009"
Torque	#8 Diameter: 35 kg/cm minimum #10 Diameter: 50 kg/cm minimum
Plating	See Appendix-A for plating information